

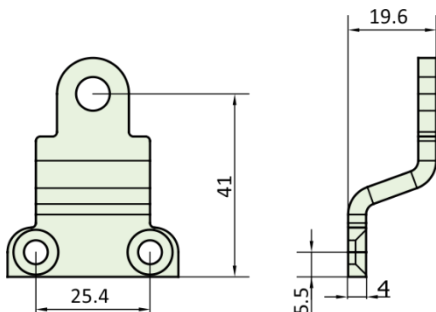
PRODUCT FEATURES & TECHNICAL INFORMATION

- Use with B375, B395 and B400 series of pegstays
- B375FB Fixing Bracket attaches the pegstay to the window, available in 3 sizes
- Use B375FBIG Fixing Bracket for inside glazed windows
- B375RST Peg Stay Rest attaches to the frame of the window and is used to hold the peg stay window securely closed or simply acts as a rest for the peg stay.
- Use with 'Through Hole', 'Side Hung' or 'Back of Stay' range of pins
- Easy fixing allows various set up for pegstay configurations to suit application
- Suitable for M5 countersunk fixing screws
- Available in several finishes or matching RAL finish on request

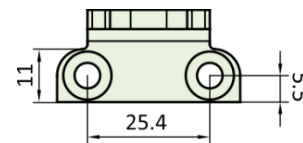
B375 Peg Stay Fixing Brackets and Rest



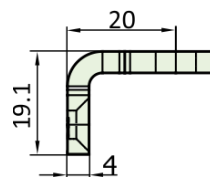
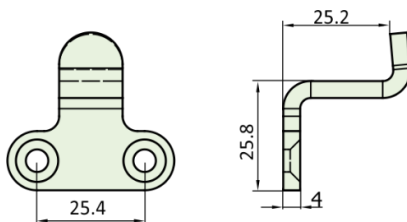
B375FBIG - Fixing Bracket
Inside Glaze



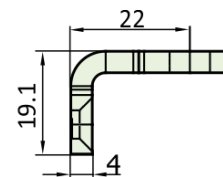
B375FB - Fixing Bracket



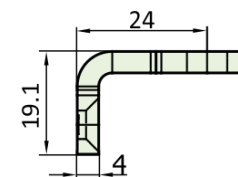
B375RST - Stay Rest



B375FB03



B375FB05



B375FB07